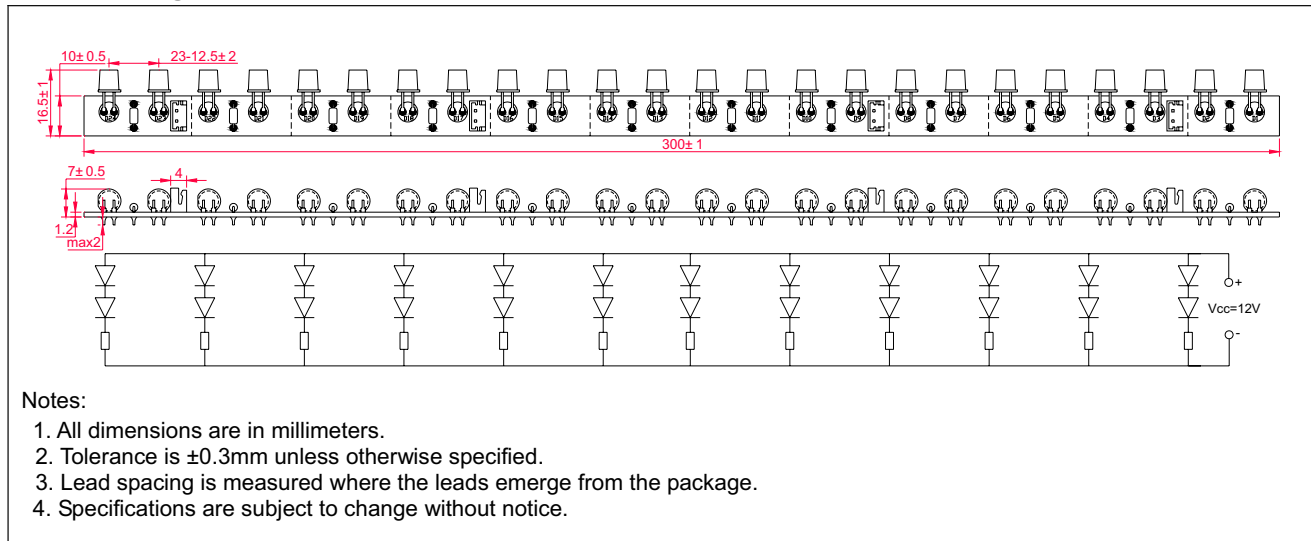


## ● Features:

1. Emitted color : Pure Green
2. Lens Appearance : Water Clear
3. for indoor and outdoor application.
4. Low power consumption.
5. Water and dust proof.

## ● Package dimensions



## ● Absolute maximum ratings(Ta=25°C)

Parameter	Symbol	Rating	Unit
Power Dissipation	Pd	3	W
Vcc	Vcc	13	V
Peak Forward Current* <sup>1</sup>	I <sub>FP</sub>	500	mA
Reverse Voltage	V <sub>R</sub>	10	V
Operating Temperature	Topr	-25°C ~60°C	
Storage Temperature	Tstg	-30°C ~85°C	

\*<sup>1</sup> Condition for I<sub>FP</sub> is pulse of 1/10 duty and 0.1msec width.

● **Electrical and optical characteristics(Ta=25°C)**

Parameter	Symbol	Condition	Min.	Typ.	Max.	Unit
Forward Current	$I_F$	V <sub>CC</sub> =12V	120.....	.....	240	mA
Luminous Flux		V <sub>CC</sub> =12V	40000.....	.....	60000	lm
Reverse Current	$I_R$	V <sub>R</sub> =10V	-	-	100	μA
Peak Wavelength	$\lambda_p$	V <sub>CC</sub> =12V	-	525	-	nm
Dominant Wavelength	$\lambda_d$	V <sub>CC</sub> =12V	520	-	530	nm
Spectral Line Half-width	$\Delta \lambda$	V <sub>CC</sub> =12V	-	15	-	nm
Viewing Angle	$\theta_{1/2}$	V <sub>CC</sub> =12V	80.....	.....	100	deg