

Features:

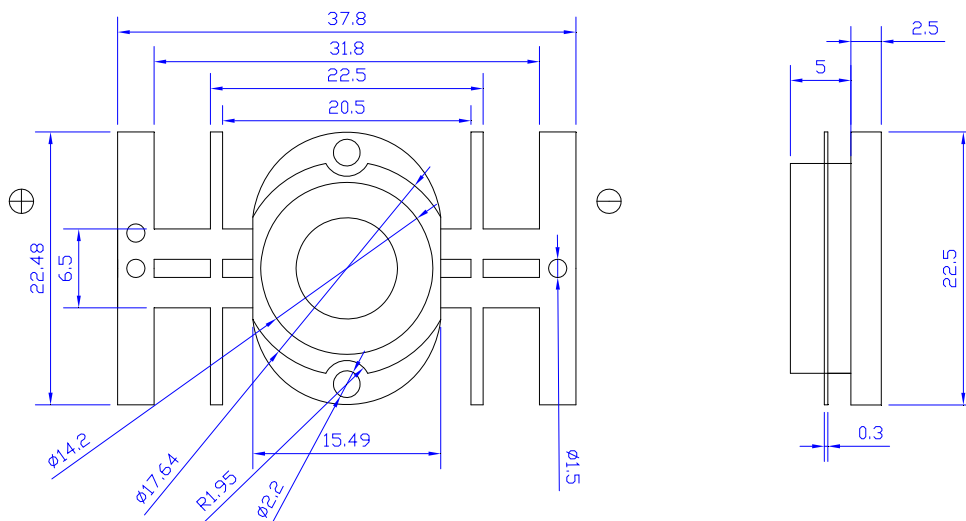
- Highest Flux
- High reliability and Very long operating life
- Low voltage DC operated
- More Energy Efficient than Incandescent and most Halogen lamps
- NO UV
- Superior ESD protection
- RoHS Compliant

Typical Applications:

- Lighting
- Portable
- Automobile
- Decorations

Package Outlines

Unit: mm



NOTE:

- All dimensions are millimeter.
- Tolerance is $\pm 0.25\text{mm}$ unless noted

Absolute maximum ratings (Ta = 25°C)

| Parameter | Symbol | Test Condition | Value | | Unit |
|-----------------------|--------|----------------|-------|------|------|
| | | | Min. | Max. | |
| DC Forward Current | IF | ---- | ---- | 1400 | mA |
| Power Dissipation | Pd | ---- | ---- | 20 | W |
| Operating Temperature | Topr | ---- | -25 | +85 | °C |
| Storage Temperature | Tstr | ---- | -40 | +100 | °C |
| ESD Sensitivity | --- | HBM | 8000 | ---- | V |

Electrical and optical characteristics (Ta = 25°C)

| Parameter | Symbol | Test Condition | Value | | | Unit |
|-------------------|--------|----------------|-------|------|------|------|
| | | | Min. | Typ. | Max. | |
| Forward Voltage | VF | IF = 1400mA | 13 | 14 | 15 | V |
| Luminous Flux | Φv | IF = 1400mA | 680 | ---- | ---- | lm |
| Color Temperature | CCT | IF = 1400mA | ---- | 3300 | ---- | K |

Luminous Flux Bins (Ta = 25°C) Unit: lm

| Bin | Y | Z | V2 |
|-----|-----|-----|-----|
| Min | 600 | 700 | 800 |
| Max | 700 | 800 | 900 |

CCT Bins (Ta = 25°C)

| Bin | W0 | W1L | W1H |
|-----|-------|-------|-------|
| Min | ---- | 3000K | 3300K |
| Max | 3000K | 3300K | 3600K |