

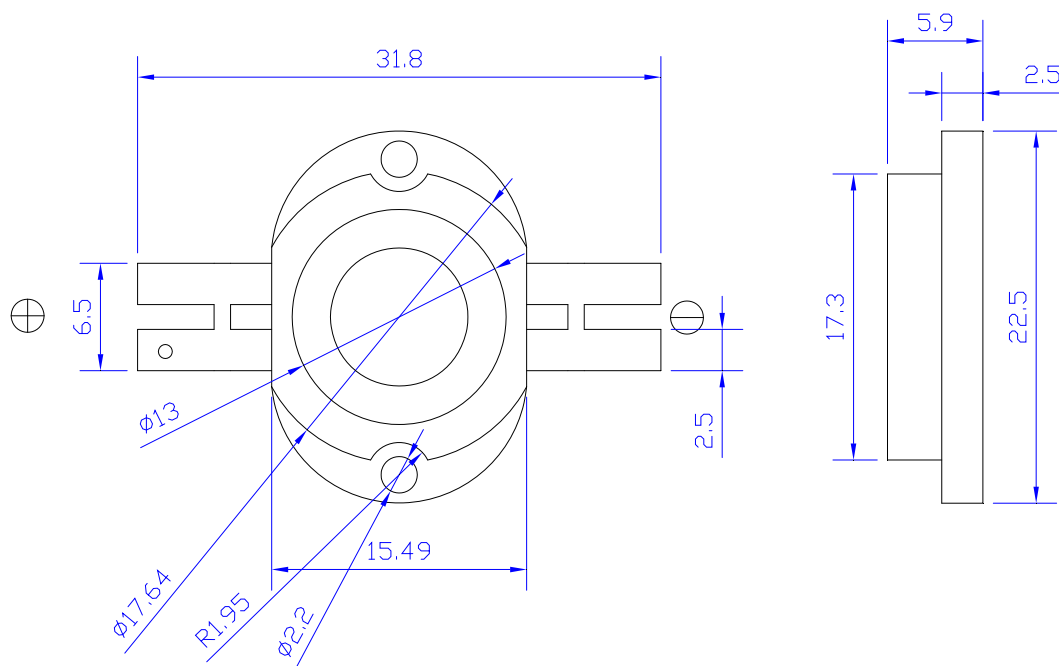
Features:

- Highest Flux
- High reliability and Very long operating life
- Low voltage DC operated
- More Energy Efficient
- RoHS Compliant

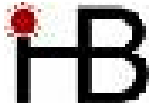
Typical Applications:

- Lighting
- Portable
- Automobile
- Decorations

Package Outlines: (Unit: mm)



- Tolerance: ± 0.25 mm



Part No.: 20VAL12HW6C

Absolute maximum ratings (Ta = 25°C)

Parameter	Symbol	Test Condition	Value		Unit
			Min.	Max.	
DC Forward Current	IF	----	----	1400	mA
Power Dissipation	Pd	----	----	20	W
Operating Temperature	Topr	----	-25	+85	°C
Storage Temperature	Tstr	----	-40	+100	°C
ESD Sensitivity	----	HBM	8000	----	V
Lifetime	----	700mA, T _{SINK} ≤ 55°C	40000	----	h
Light Decrease	----	700mA, 2000h	----	5	%

Electrical and optical characteristics (Ta = 25°C)

Parameter	Symbol	Test Condition	Value			Unit
			Min.	Typ.	Max.	
Forward Voltage	VF	IF = 1400mA	13	14	15	V
Luminous Flux	Φv		850	930	----	lm
Viewing Angle	2θ 1/2		----	120	----	Deg.
Color Temperature	CCT		4000	----	----	K

Luminous Flux Bins (Ta = 25°C) Unit: lm

Bin	V2	W2
Min	800	900
Max	900	1000

CCT Bins (Ta = 25°C)

Bin	W3	W4	W5	W6	W7
Min	4000K	4500K	5000K	6000K	7000K
Max	4500K	5000K	6000K	7000K	8000K