



# LED SPECIFICATION

**Part No.:** 10VAL12HW6C

## Features:

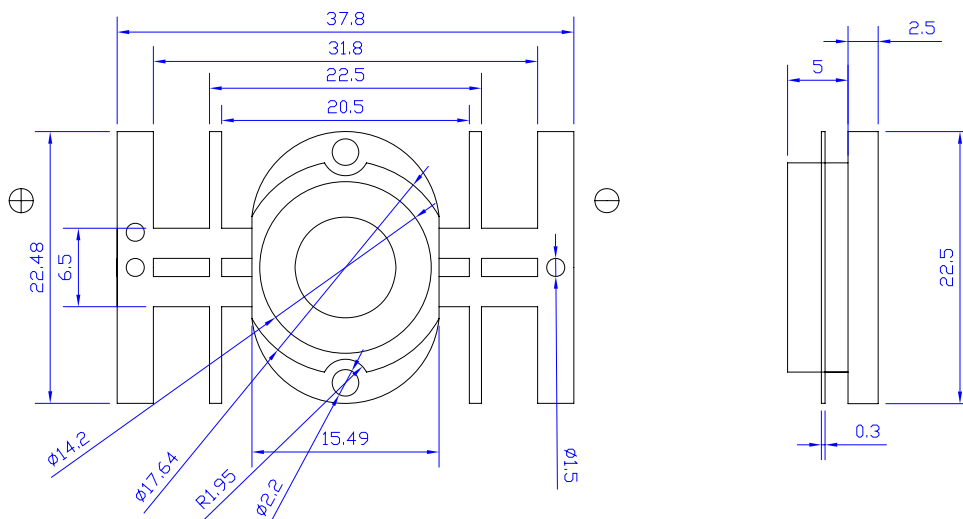
- Highest Flux
- High reliability and Very long operating life
- Low voltage DC operated
- More Energy Efficient than Incandescent and most Halogen lamps
- NO UV
- Superior ESD protection
- RoHS Compliant

## Typical Applications:

- Lighting
- Portable
- Automobile
- Decorations

## Package Outlines

Unit: mm



## NOTE:

- All dimensions are millimeter.
- Tolerance is  $\pm 0.1$ mm unless noted



# LED SPECIFICATION

**Part No.:** 10VAL12HW6C

## Absolute maximum ratings (Ta = 25°C)

Parameter	Symbol	Test Condition	Value		Unit
			Min.	Max.	
DC Forward Current	IF	----	----	700	mA
Power Dissipation	Pd	----	----	10	W
Operating Temperature	Topr	----	-25	+85	°C
Storage Temperature	Tstr	----	-40	+100	°C
ESD Sensitivity	---	HBM	8000	---	V

## Electrical and optical characteristics (Ta = 25°C)

Parameter	Symbol	Test Condition	Value			Unit
			Min.	Typ.	Max.	
Forward Voltage	VF	IF = 700mA	13	14	15	V
Luminous Flux	Φv	IF = 700mA	360	400	----	lm
Color Temperature	CCT	IF = 700mA	4000	----	----	K

## Luminous Flux Bins (Ta = 25°C) Unit: lm

Bin	U	V
Min	360	400
Max	400	450

## CCT Bins (Ta = 25°C)

Bin	W3	W4	W5	W6	W7
Min	4000	4500K	5000K	6000K	7000K
Max	4500	5000K	6000K	7000K	8000K