

540MR2C

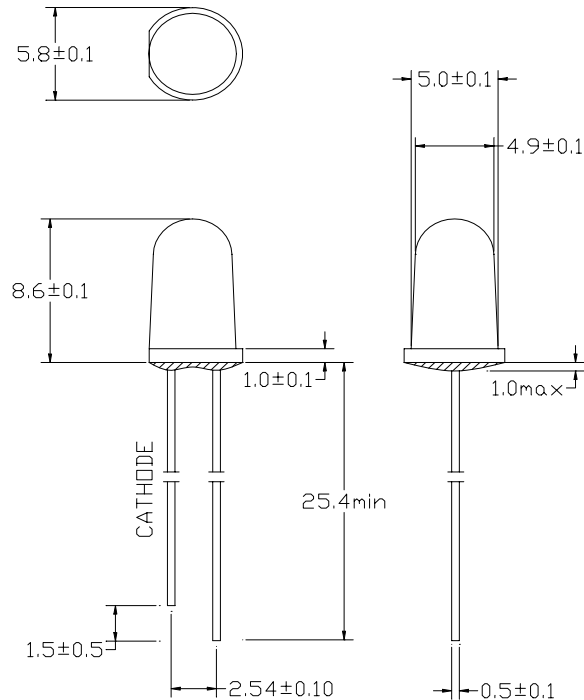
➤ Features:

- Single color
- High bright output
- Low power consumption
- High reliability and long life

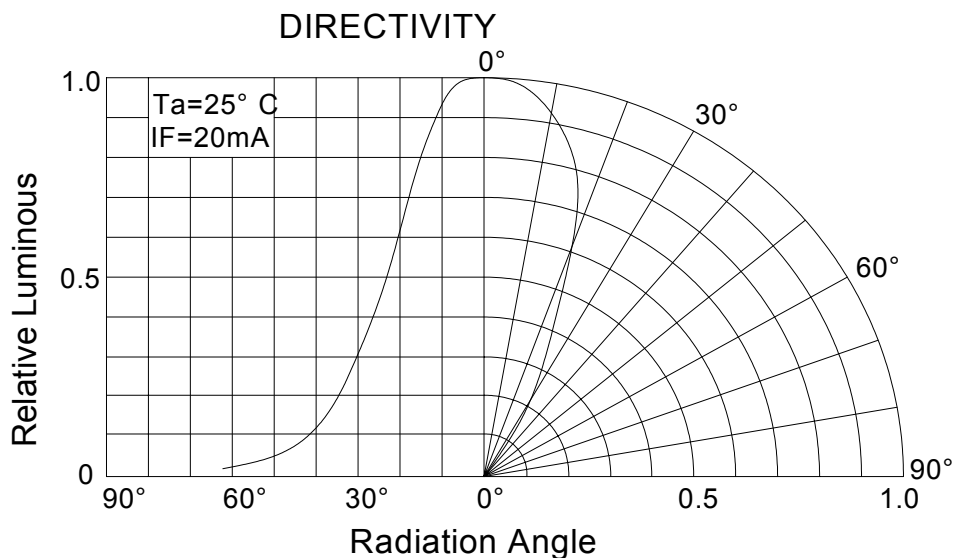
➤ Descriptions:

- Dice material: AlGaInP
- Emitting Color: Super Bright Red
- Device Outline: ϕ 5mm Round Type
- Lens Type: Water Clear

➤ Directivity:



1. All dimensions are millimeters
2. Tolerance is +/-0.25mm unless otherwise noted





LED SPECIFICATION

540MR2C

➤ Absolute maximum ratings (Ta = 25°C)

Parameter	Symbol	Test Condition	Values		Unit
			Min.	Max.	
Reverse Voltage	V _R	I _R = 30 μ A	5	--	V
Forward Current	I _F	----	----	30	mA
Power Dissipation	P _d	----	----	75	mW
Pulse Current	I _{peak}	Duty=0.1mS, 1kHz	----	100	mA
Operating Temperature	T _{opr}	----	-20	+85	°C
Storage Temperature	T _{str}	----	-25	+100	°C

➤ Electrical and optical characteristics (Ta = 25°C)

Parameter	Symbol	Test Condition	Values			Unit
			Min.	Typ.	Max.	
Forward Voltage	V _F	I _F =20mA	----	2.2	2.6	V
Reverse Current	I _R	V _R =5V	----	----	30	μ A
Dominate Wavelength	λ _d	I _F =20mA	620	626	630	nm
Peak Wavelength	λ _p	I _F =20mA	----	632	----	nm
Spectral Line half-width	Δ λ	I _F =20mA	----	20	----	nm
Luminous Intensity	I _v	I _F =20mA		BIN	----	mcd
Viewing Angle	2 θ 1/2	I _F =20mA	----	40	----	deg.

➤ Luminous Intensity Bins (Ta = 25°C)

Unit:mcd

Bin	U	V	W	
Min	1520	2130	3000	
Max	2130	3000	4180	



LED SPECIFICATION

540MR2C

➤ Typical electrical/optical characteristic curves:

